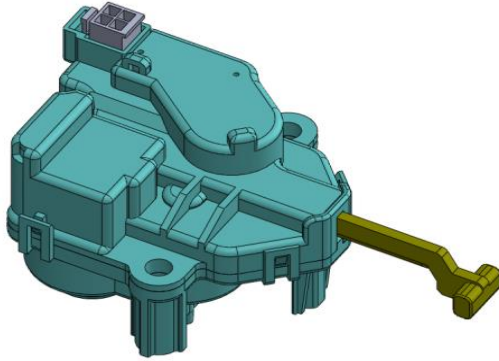
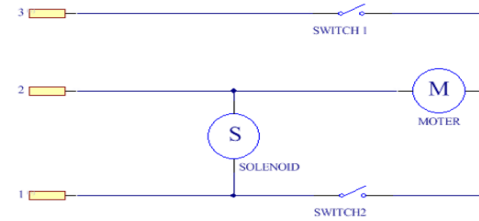


2 Step DRAIN MOTOR

2단 DRAIN MOTOR



POWER CHART



FEATURES

According to Washing Model, Lever position will move to 0 step, 1 step and 2 step. Adjusting Break Mode, Washing Mode and Spin-Dry Mode.

USAGE

Washing Machine

SPECIFICATION

Model	SIZE (mm)	Motor	Rating	OPERATION FORCE	OPERATION VELOCITY
SDAA	102 X 91 X 58	DC MOTOR	DC 13.5V	11Kgf ↑	13mm/4.5sec